



engineered for life™

## Endeavor® Line *Classic Plus*® Series Top-Discharge Universal Heat Pump



### RP17AY

Cooling Efficiencies up to: 17 SEER2 / 11.7 EER2

Heating Efficiencies up to: 9.5 HSPF2

Nominal Sizes: 2 to 5 Tons [7.0 to 17.6 kW]

Cooling & Heating Capacities: 22.2 to 57 kBTU [6.5 to 16.7 kW]

Refrigerant Type: R-454B



<sup>1</sup>Valid for RP17AY24AJVCA matched with qualifying Rheem indoor models. Proper sizing and installation of equipment is critical to achieve optimal performance. Ask your contractor for details or visit [www.energystar.gov](http://www.energystar.gov).

## Table of Contents

Features and Benefits .....	3
Model Number Identification .....	4
General Data/Electrical Data .....	5
Accessories .....	6
Unit Dimensions .....	7
Refrigerant Line Size Information .....	8-9
Performance Data .....	10
Smart Home Systems .....	11
Limited Warranty .....	12

## Features and Benefits

- **Flexible and Universal Install Compatibility:**
  - Works with nearly any R-454B HVAC System— including Rheem® EcoNet® Enabled systems and non-communicating systems
  - Install with any indoor system component via a Rheem algorithm (IMPORTANT: The indoor system component CFM must match the requirement of the outdoor system component)
  - Install as a Universal Replacement with minimal alterations (R-454B coil only—with TXV)
- **Quiet Operation as low as 55dBA<sup>1</sup>:** Offers sound dampening features such as a sound blanket, refrigerant tubing design, fan blade approach and innovative compressor and drive technologies—ensure that as efficiency goes up, sound levels stay low
- **EcoNet Enabled<sup>2</sup>:** Automatic system configuration and optimization
- **PlusOne® Diagnostics & Bluetooth<sup>3, 4</sup> Connectivity:** With the Rheem Contractor & EcoNet Apps, built-in technology makes advanced set-up, monitoring, troubleshooting, and repairing the product easier than ever before
- **PlusOne Variable Speed Twin Rotary Compressor and Inverter Drive:**
  - Features variable speed operation from 35% to 100% capacity with the EcoNet Smart Thermostat or with legacy and other thermostats when the utility 1 & 2 jumpers are installed and using the Rheem algorithm<sup>5</sup>
  - Provides precise temperature control, advanced humidity control and greater efficiency
- **Brushless DC Condenser Motors (BLDC):** Enhances reliability and allows for easier serviceability
- **Swept Wing Fan Technology:** Features quieter operation and improved unit acoustics
- **7mm Condenser Copper Coil:** Requires less refrigerant allowing for a smaller and lighter footprint while enhancing reliability
- **Traditional Refrigerant Piping:** Allows for use of existing refrigerant line sets for further ease of replacement installation flexibility
- **10-Year Conditional Parts Warranty (registration required):** Coverage when installed as a heat pump only or as part of a system—with no AHRI matched system requirement
- **PlusOne Refrigerant Detection System<sup>TM6</sup>:** An integrated one-box, patented design featuring the A2L sensor and mitigation board, offering easier commissioning with a single component and simplified wiring configuration, compatibility with the any 24V thermostat<sup>7</sup> application and system protection by automatically pausing outdoor unit operation—if excess refrigerant is detected

<sup>1</sup>Based on Internal R&D Testing, 2024 Sound levels are also dependent on proper installation and location of outdoor product. <sup>2</sup>When installed as part of a complete AHRI-matched, Rheem EcoNet Enabled system. <sup>3</sup>The Bluetooth word mark and logos are registered trademarks owned by Bluetooth SIG, Inc. and any use of such marks by Rheem is under license. Other trademarks and trade names are those of their respective owners. <sup>4</sup>When installed as part of a complete Rheem system where both the outdoor and indoor components feature Bluetooth Technology. <sup>5</sup>Two-Stage (70% & 100% capacity) operation when installed with legacy and other thermostats when the utility 1 & 2 jumpers are not installed. <sup>6</sup>When installed as part of a complete Rheem system. The sensor is factory or field-installed in the furnace coil or air handler and is applicable to the complete heating and cooling system featuring Low GWP Refrigerant (A2L). <sup>7</sup>RP17AY system is compatible with two-stage 24V thermostat.

# Heat Pumps

<u>R</u>	<u>P</u>	<u>17</u>	<u>A</u>	<u>Y</u>	<u>24</u>	<u>A</u>	<u>J</u>	<u>V</u>	<u>C</u>	<u>A</u>
Brand	Product Category	SEER2	Region	Refrigerant	Capacity	Major Series	Voltage	Type	Controls	Minor Series
R - Rheem	P - Top-Discharge Heat Pump	17 - 17 SEER2	A - All Regions	Y - R-454B	24 - 24,000 [7.03 kW] 36 - 36,000 [10.55 kW] 48 - 48,000 [14.07 kW] 60 - 60,000 [17.58 kW]	A - 1st Design	J - 208/230/1/60	V - Fully Variable	C - Communicating, EcoNet, Bluetooth	A - 1st Series

[ ] Designates Metric Conversions

AVAILABLE MODELS	DESCRIPTION
RP17AY24AJVCA	Endeavor® Line <i>Classic Plus</i> ® Series 2 Ton Inverter Driven Variable Speed Top-Discharge Universal Heat Pump
RP17AY36AJVCA	Endeavor® Line <i>Classic Plus</i> ® Series 3 Ton Inverter Driven Variable Speed Top-Discharge Universal Heat Pump
RP17AY48AJVCA	Endeavor® Line <i>Classic Plus</i> ® Series 4 Ton Inverter Driven Variable Speed Top-Discharge Universal Heat Pump
RP17AY60AJVCA	Endeavor® Line <i>Classic Plus</i> ® Series 5 Ton Inverter Driven Variable Speed Top-Discharge Universal Heat Pump

**NOTE:** RP17AY models are communicating when installed as part of a complete AHRI-matched, Rheem EcoNet Enabled System

STANDARD EQUIPMENT
R-454B Refrigerant
EcoNet Enabled
Variable Speed Compressor
Compressor Sound Blanket
Variable Speed Outdoor Fan Motor
Swept Wing Fan Blade
Field Installed Filter Drier
Front Seating Service Valves
Internal Pressure Relief Valve
Internal Thermal Overload
Long Line capability
Low Ambient capability with Kit
3-4-5 Expanded Valve Space
Composite Basepan
2 Screw Control Box Access
Quick release louver panel design
No fasteners to remove along bottom
Optimized Venturi Airflow
Powder coated paint
Rust resistant screws
QR code
External gauge ports
Service trays
Integrated crankcase heat via motor windings (no add-on kit)

<b>General Data</b>				
<b>MODEL NO.</b>	<b>RP17AY24AJVCA</b>	<b>RP17AY36AJVCA</b>	<b>RP17AY48AJVCA</b>	<b>RP17AY60AJVCA</b>
<b>Nominal Tonnage</b>	2.0	3.0	4.0	5.0
<b>Valve Connections</b>				
Liquid Line O.D. – in.	3/8	3/8	3/8	3/8
Suction Line O.D. – in.	3/4	3/4	7/8	7/8
<b>Refrigerant (R-454B) furnished oz.<sup>1</sup></b>	98	110	131	220
<b>Compressor Type</b>	Variable Speed Rotary			
<b>Outdoor Coil</b>				
Net face area – Outer Coil	11.8	21.5	21.5	23.4
Net face area – Inner Coil	—	—	—	23.4
Tube diameter – in.	0.276	0.276	0.276	0.276
Number of rows	1	1	1	2
Fins per inch	22	22	22	22
<b>Outdoor Fan</b>				
Diameter – in.	20	24	24	26
Number of blades	3	3	3	3
Motor hp	1/4	1/4	1/4	1/3
CFM	2109	4216	4126	4631
RPM	900	1000	1000	900
<b>Shipping weight – lbs.</b>	188	221	247	282
<b>Operating weight – lbs.</b>	181	214	240	275

<b>Electrical Data</b>				
<b>Line Voltage Data (Volts-Phase-Hz)</b>	<b>208/230-1-60</b>	<b>208/230-1-60</b>	<b>208/230-1-60</b>	<b>208/230-1-60</b>
<b>Maximum overcurrent protection (amps)<sup>2</sup></b>	20	35	45	50
<b>Minimum circuit ampacity<sup>3</sup></b>	12	20	26	32
<b>Compressor</b>				
Rated load amps	9.4	15.9	20.1	25.6
Locked rotor amps	N/A	N/A	N/A	N/A
Inverter Input Current	19	19	28	28

<sup>1</sup>Refrigerant charge sufficient for 15 ft. length of refrigerant lines. For longer line set requirements see the installation instructions for information about set length and additional refrigerant charge required.

<sup>2</sup>HACR type circuit breaker or fuse.

<sup>3</sup>Refer to National Electrical Code manual to determine wire, fuse and disconnect size requirements.

## Accessories

MODEL NO.		RP17AY24AJVCA	RP17AY36AJVCA	RP17AY48AJVCA	RP17AY60AJVCA
Low ambient control		Included Standard	Included Standard	Included Standard	Included Standard
Compressor sound cover		Included Standard	Included Standard	Included Standard	Included Standard
Compressor hard start kit		N/A	N/A	N/A	N/A
Low pressure control		Included Standard	Included Standard	Included Standard	Included Standard
High pressure control		Included Standard	Included Standard	Included Standard	Included Standard
Liquid Line Solenoid (24 VAC, 50/60 Hz)	Solenoid Valve	200RD2T3TVLC	200RD2T3TVLC	200RD2T3TVLC	200RD2T3TVLC
	Solenoid Coil	61-AMG24V	61-AMG24V	61-AMG24V	61-AMG24V
Liquid Line Solenoid (120/240 VAC, 50/60 Hz)	Solenoid Valve	200RD2T3TVLC	200RD2T3TVLC	200RD2T3TVLC	200RD2T3TVLC
	Solenoid Coil	61-AMG120/240V	61-AMG120/240V	61-AMG120/240V	61-AMG120/240V

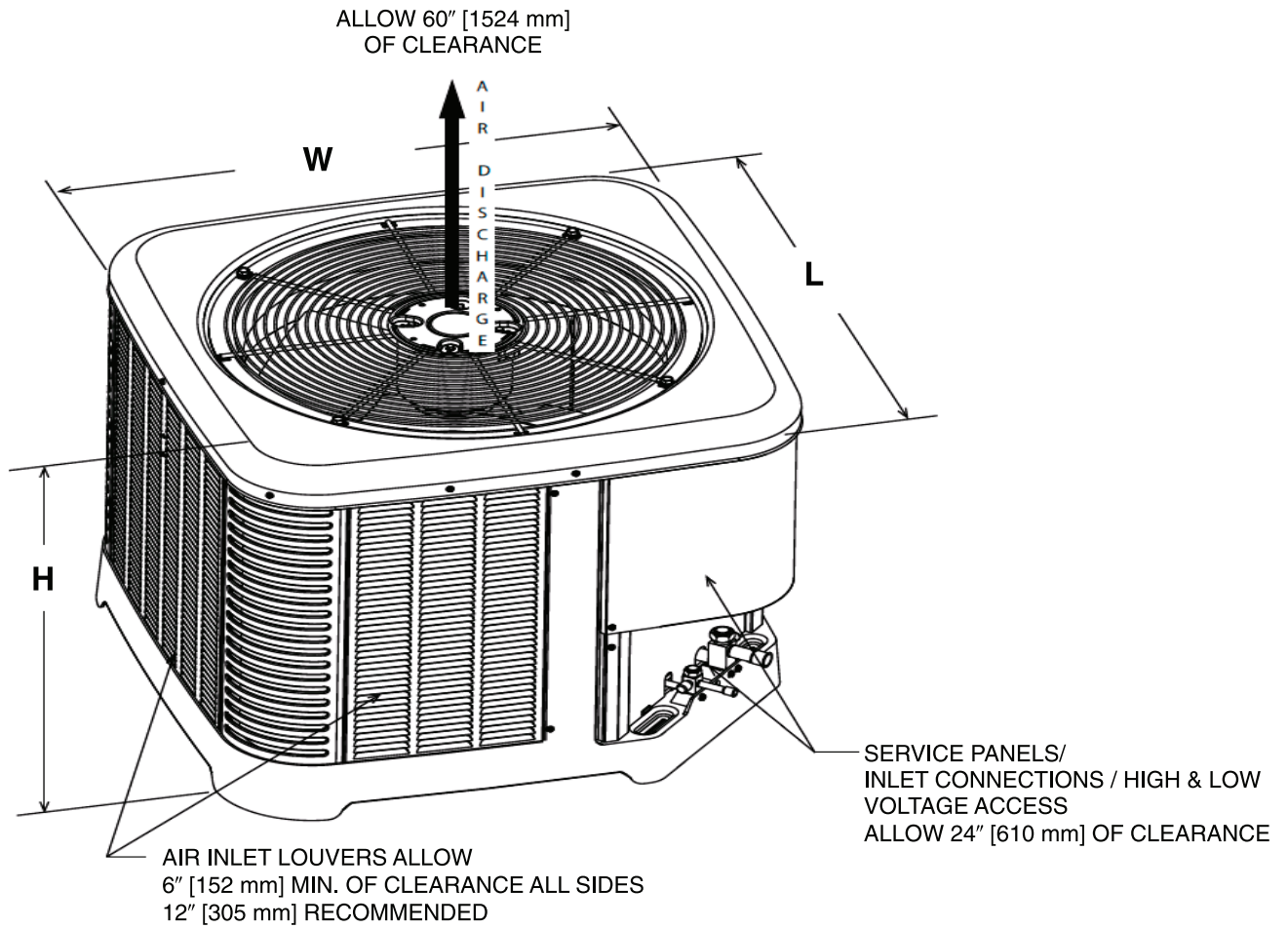
## Weighted Sound Power Level (dBA)

UNIT SIZE - VOLTAGE, SERIES	SOUND PRESSURE AS LOW AS (dBA)	SOUND POWER AS LOW AS (dBA)	TYPICAL OCTAVE BAND SPECTRUM (dBA WITHOUT TONE ADJUSTMENT)							
			125	250	500	1000	2000	4000	6300	8000
RP17AY24AJVCA	55	62	46.9	50.4	56.7	55.9	53.1	50.8	51.9	46.8
RP17AY36AJVCA	58	64	53.8	57.3	55.0	54.9	51.5	52.0	57.0	57.4
RP17AY48AJVCA	58	65	54.2	59	66.4	64.8	63.7	59.7	56.0	51.5
RP17AY60AJVCA	57	64	54.6	58.8	65.2	63.1	60.7	58.3	53.4	49.9

**NOTE:** Tested in accordance with AHRI Standard 270-08 (not listed in AHRI)

## Unit Dimensions

MODEL NO.	OPERATING						SHIPPING					
	H (Height)		L (Length)		W (Width)		H (Height)		L (Length)		W (Width)	
	INCHES	mm	INCHES	mm	INCHES	mm	INCHES	mm	INCHES	mm	INCHES	mm
RP17AY24AJVCA	27.00	685.80	29.75	755.65	29.75	755.65	28.50	723.90	32.38	822.45	32.38	822.45
RP17AY36AJVCA	39.00	991.00	33.75	857.25	33.75	857.25	40.50	1028.70	36.38	924.05	36.38	924.05
RP17AY48AJVCA	39.00	991.00	33.75	857.25	33.75	857.25	40.50	1028.70	36.38	924.05	36.38	924.05
RP17AY60AJVCA	39.00	991.00	35.75	908.00	35.75	908.00	40.50	1028.70	38.38	974.85	38.38	974.85



[ ] Designates Metric Conversions

ST-A1226-02-00

## Refrigerant Line Size Information

17 SEER2 VARIABLE SPEED HEAT PUMP												
UNIT SIZE	ALLOWABLE LIQUID LINE SIZE	ALLOWABLE VAPOR LINE SIZE	OUTDOOR UNIT ABOVE OR BELOW INDOOR UNIT EQUIVALENT LENGTH (FEET)									
			0-25	26-50	51-75	76-100	101-125	126-150	151-175	176-200	201-225	226-250
			MAXIMUM VERTICAL SEPARATION/CAPACITY MULTIPLIER									
2 Ton	1/4"	5/8"	25 / 1.00	50 / 0.99	29 / 0.98	0 / 0.97	0 / 0.97	0 / 0.96	0 / 0.95	0 / 0.94	0 / 0.94	0 / 0.93
	5/16"	5/8"	25 / 1.00	50 / 0.99	75 / 0.98	89 / 0.97	80 / 0.97	72 / 0.96	63 / 0.95	55 / 0.94	47 / 0.94	41 / 0.93
	3/8"	5/8"	25 / 1.00	50 / 0.99	75 / 0.98	100 / 0.97	109 / 0.97	106 / 0.96	104 / 0.95	100 / 0.94	97 / 0.94	95 / 0.93
	1/4"	3/4"	25 / 1.00	50 / 1.00	29 / 0.99	0 / 0.99	0 / 0.99	0 / 0.99	0 / 0.98	0 / 0.98	0 / 0.98	0 / 0.98
	5/16"	3/4"	25 / 1.00	50 / 1.00	75 / 0.99	89 / 0.99	80 / 0.99	72 / 0.99	63 / 0.98	55 / 0.98	47 / 0.98	41 / 0.98
	3/8"	3/4"	25 / 1.00	50 / 1.00	75 / 0.99	100 / 0.99	109 / 0.99	106 / 0.99	104 / 0.98	100 / 0.98	97 / 0.98	95 / 0.98
3 Ton	5/16"	5/8"	25 / 0.99	50 / 0.98	68 / 0.96	50 / 0.95	32 / 0.93	14 / 0.91	0 / 0.9	0 / 0.88	0 / 0.87	0 / 0.87
	3/8"	5/8"	25 / 0.99	50 / 0.98	75 / 0.96	99 / 0.95	92 / 0.93	86 / 0.91	80 / 0.9	73 / 0.88	67 / 0.87	61 / 0.87
	5/16"	3/4"	25 / 1.00	50 / 0.99	68 / 0.99	50 / 0.98	32 / 0.97	14 / 0.97	0 / 0.96	0 / 0.96	0 / 0.95	0 / 0.95
	3/8"	3/4"	25 / 1.00	50 / 0.99	75 / 0.99	99 / 0.98	92 / 0.97	86 / 0.97	80 / 0.96	73 / 0.96	67 / 0.95	61 / 0.95
	1/2"	3/4"	25 / 1.00	50 / 0.99	75 / 0.99	100 / 0.98	119 / 0.97	117 / 0.97	116 / 0.96	115 / 0.96	114 / 0.95	113 / 0.95
	3/8"	7/8"	25 / 1.00	50 / 1.00	75 / 0.99	99 / 0.99	92 / 0.99	86 / 0.99	80 / 0.98	73 / 0.98	67 / 0.98	61 / 0.98
4 Ton	1/2"	7/8"	25 / 1.00	50 / 1.00	75 / 0.99	100 / 0.99	119 / 0.99	117 / 0.99	116 / 0.98	115 / 0.98	114 / 0.98	113 / 0.98
	3/8"	3/4"	25 / 1.00	50 / 0.99	75 / 0.98	80 / 0.97	70 / 0.96	59 / 0.94	49 / 0.93	38 / 0.92	27 / 0.92	17 / 0.91
	1/2"	3/4"	25 / 1.00	50 / 0.99	75 / 0.98	100 / 0.97	114 / 0.96	112 / 0.94	110 / 0.93	107 / 0.92	106 / 0.92	104 / 0.91
	3/8"	7/8"	25 / 1.00	50 / 0.99	75 / 0.99	80 / 0.98	70 / 0.98	59 / 0.98	49 / 0.97	38 / 0.97	27 / 0.96	17 / 0.96
5 Ton	1/2"	7/8"	25 / 1.00	50 / 0.99	75 / 0.99	100 / 0.98	114 / 0.98	112 / 0.98	110 / 0.97	107 / 0.97	106 / 0.96	104 / 0.96
	3/8"	3/4"	25 / 0.99	50 / 0.98	74 / 0.96	58 / 0.95	42 / 0.93	25 / 0.91	9 / 0.9	0 / 0.88	0 / 0.87	0 / 0.86
	1/2"	3/4"	25 / 0.99	50 / 0.98	75 / 0.96	100 / 0.95	108 / 0.93	105 / 0.91	101 / 0.9	98 / 0.88	95 / 0.87	93 / 0.86
	3/8"	7/8"	25 / 1.00	50 / 0.99	74 / 0.98	58 / 0.98	42 / 0.97	25 / 0.96	9 / 0.96	0 / 0.95	0 / 0.94	0 / 0.94
	1/2"	7/8"	25 / 1.00	50 / 0.99	75 / 0.98	100 / 0.98	108 / 0.97	105 / 0.96	101 / 0.96	98 / 0.95	95 / 0.94	93 / 0.94

**NOTES:**

1. Do not exceed 150 ft. linear line length
2. Do not exceed 50 ft. vertical separation between indoor and outdoor units
3. 3/4" vapor line should only be used for 2 Ton systems if outdoor unit is below or at same level as indoor unit to assure proper oil return
4. Always use the smallest liquid line allowable to minimize refrigerant charge
5. Applications shaded in grey are considered long lineset applications. Refer to Long Lineset Application Guide for details

## Refrigerant Line Size Information (Con't.)

17 SEER2 VARIABLE SPEED HEAT PUMP												
UNIT SIZE	ALLOWABLE LIQUID LINE SIZE	ALLOWABLE VAPOR LINE SIZE	OUTDOOR UNIT ABOVE OR BELOW INDOOR UNIT EQUIVALENT LENGTH (METERS)									
			0-25	26-50	51-75	76-100	101-125	126-150	151-175	176-200	201-225	226-250
			MAXIMUM VERTICAL SEPARATION/CAPACITY MULTIPLIER									
2 Ton	1/4"	5/8"	8 / 1.00	15 / 0.99	9 / 0.98	0 / 0.97	0 / 0.97	0 / 0.96	0 / 0.95	0 / 0.94	0 / 0.94	0 / 0.93
	5/16"	5/8"	8 / 1.00	15 / 0.99	23 / 0.98	27 / 0.97	24 / 0.97	22 / 0.96	19 / 0.95	17 / 0.94	14 / 0.94	12 / 0.93
	3/8"	5/8"	8 / 1.00	15 / 0.99	23 / 0.98	30 / 0.97	33 / 0.97	32 / 0.96	32 / 0.95	30 / 0.94	30 / 0.94	29 / 0.93
	1/4"	3/4"	8 / 1.00	15 / 1.00	9 / 0.99	0 / 0.99	0 / 0.99	0 / 0.99	0 / 0.98	0 / 0.98	0 / 0.98	0 / 0.98
	5/16"	3/4"	8 / 1.00	15 / 1.00	23 / 0.99	27 / 0.99	24 / 0.99	22 / 0.99	19 / 0.98	17 / 0.98	14 / 0.98	12 / 0.98
	3/8"	3/4"	8 / 1.00	15 / 1.00	23 / 0.99	30 / 0.99	33 / 0.99	32 / 0.99	32 / 0.98	30 / 0.98	30 / 0.98	29 / 0.98
3 Ton	5/16"	5/8"	8 / 0.99	15 / 0.98	21 / 0.96	15 / 0.95	10 / 0.93	4 / 0.91	0 / 0.9	0 / 0.88	0 / 0.87	0 / 0.87
	3/8"	5/8"	8 / 0.99	15 / 0.98	23 / 0.96	30 / 0.95	28 / 0.93	26 / 0.91	24 / 0.9	22 / 0.88	20 / 0.87	19 / 0.87
	5/16"	3/4"	8 / 1.00	15 / 0.99	21 / 0.99	15 / 0.98	10 / 0.97	4 / 0.97	0 / 0.96	0 / 0.96	0 / 0.95	0 / 0.95
	3/8"	3/4"	8 / 1.00	15 / 0.99	23 / 0.99	30 / 0.98	28 / 0.97	26 / 0.97	24 / 0.96	22 / 0.96	20 / 0.95	19 / 0.95
	1/2"	3/4"	8 / 1.00	15 / 0.99	23 / 0.99	30 / 0.98	36 / 0.97	36 / 0.97	35 / 0.96	35 / 0.96	35 / 0.95	34 / 0.95
	3/8"	7/8"	8 / 1.00	15 / 1.00	23 / 0.99	30 / 0.99	28 / 0.99	26 / 0.99	24 / 0.98	22 / 0.98	20 / 0.98	19 / 0.98
4 Ton	1/2"	7/8"	8 / 1.00	15 / 1.00	23 / 0.99	30 / 0.99	36 / 0.99	36 / 0.99	35 / 0.98	35 / 0.98	35 / 0.98	34 / 0.98
	3/8"	3/4"	8 / 1.00	15 / 0.99	23 / 0.98	24 / 0.97	21 / 0.96	18 / 0.94	15 / 0.93	12 / 0.92	8 / 0.92	5 / 0.91
	1/2"	3/4"	8 / 1.00	15 / 0.99	23 / 0.98	30 / 0.97	35 / 0.96	34 / 0.94	34 / 0.93	33 / 0.92	32 / 0.92	32 / 0.91
	3/8"	7/8"	8 / 1.00	15 / 0.99	23 / 0.99	24 / 0.98	21 / 0.98	18 / 0.98	15 / 0.97	12 / 0.97	8 / 0.96	5 / 0.96
5 Ton	1/2"	7/8"	8 / 1.00	15 / 0.99	23 / 0.99	30 / 0.98	35 / 0.98	34 / 0.98	34 / 0.97	33 / 0.97	32 / 0.96	32 / 0.96
	3/8"	3/4"	8 / 0.99	15 / 0.98	23 / 0.96	18 / 0.95	13 / 0.93	8 / 0.91	3 / 0.9	0 / 0.88	0 / 0.87	0 / 0.86
	1/2"	3/4"	8 / 0.99	15 / 0.98	23 / 0.96	30 / 0.95	33 / 0.93	32 / 0.91	31 / 0.9	30 / 0.88	29 / 0.87	28 / 0.86
	3/8"	7/8"	8 / 1.00	15 / 0.99	23 / 0.98	18 / 0.98	13 / 0.97	8 / 0.96	3 / 0.96	0 / 0.95	0 / 0.94	0 / 0.94
	1/2"	7/8"	8 / 1.00	15 / 0.99	23 / 0.98	30 / 0.98	33 / 0.97	32 / 0.96	31 / 0.96	30 / 0.95	29 / 0.94	28 / 0.94

**NOTES:**

1. Do not exceed 46 meters linear line length
2. Do not exceed 15 meters vertical separation between indoor and outdoor units
3. 19.05mm [3/4"] vapor line should only be used for 2 Ton systems if outdoor unit is below or at same level as indoor unit to assure proper oil return
4. Always use the smallest liquid line allowable to minimize refrigerant charge
5. Applications shaded in grey are considered long lineset applications. Refer to Long Lineset Application Guide for details

## Performance Data @ AHRI Standard Conditions – Cooling

DESIGNATED TESTED COMBINATION (DTC)												
OUTDOOR UNIT	INDOOR UNIT	TOTAL CAPACITY BTU/H [kW]	NET SENSIBLE BTU/H [kW]	NET LATENT BTU/H [kW]	SEER2	EER2	INDOOR CFM [L/S]	47 DEGREE HEATING CAPACITY BTU/H [kW]	47 DEGREE COP	17 DEGREE HEATING CAPACITY BTU/H [kW]	17 DEGREE COP	REGION IV HSPF2
RP17AY24AJVC	RH2VY2417STACN	22,800 [6.7]	17,500 [5.1]	5,300 [1.6]	16.0	11.7	750 [353.8]	22,600 [6.6]	3.16	19,700 [5.8]	2.5	9.0
RP17AY36AJVC	RH2VY3617STACN	34,200 [10.0]	26,200 [7.7]	8,000 [2.3]	16.5	11.0	1,125 [530.7]	34,000 [10.0]	3.55	32,200 [9.4]	2.3	9.5
RP17AY48AJVC	RH2VY4821STACN	45,500 [13.3]	34,900 [10.2]	10,600 [3.1]	16.0	11.0	1,475 [695.8]	45,500 [13.3]	2.93	39,500 [11.6]	2.4	9.5
RP17AY60AJVC	RH2VY6024STACN	54,001 [15.8]	41,400 [12.1]	12,600 [3.7]	17.0	10.5	1,850 [872.7]	57,000 [16.7]	3.45	47,000 [13.8]	2.4	9.5

**NOTE:** This data includes DTC (Designated Test Combination) ratings and is for reference purposes only. A full listing of official ratings and system match-ups, along with downloadable certificates, can be accessed from the AHRI website: [www.ahridirectory.org](http://www.ahridirectory.org).

[ ] Designates Metric Conversions



Smart, high efficiency heating & cooling and water heating systems, powered by EcoNet technology, allow homeowners, contractors, facility managers and business owners to connect, monitor and control asset performance for energy management across their networks.

## The EcoNet Smart Thermostat

### Grow Homeowner Relationships and Increase Satisfaction

**Repeat Business** — Generate more business by adding your contact information into the homeowner’s EcoNet app; Homeowners can easily share critical care alerts and contact you for service

**Improved Control and Monitoring** — Homeowners can proactively monitor vital device information in the EcoNet app and know when to call, turning potential emergencies into proactive service calls



RETST900SYS



When both the indoor and outdoor units are powered by EcoNet equipment, the EcoNet® Smart Thermostat should be installed



When the indoor unit is powered by EcoNet equipment, but the outdoor unit is not, the EcoNet® Smart Thermostat should be installed



The ecobee Smart Thermostat Lite is optimized to work with non-communicating residential heating & cooling systems by the same manufacturer.

### Hardwired for Reliability

**Batteries Not Required** — Unlike other battery-operated smart thermostats, this hardwired device minimizes the hassle of replacing batteries and reduces the risk of product failure

**Built to Last** — Designed with quality materials and software that automatically updates with the latest features

**Limited Warranty** — Give your customers added peace-of-mind with a 5-year limited warranty when installed by a professional

### Quick Installation, Easy Set Up

**Setup Designed for Pros** — Feel confident during setup with configuration options that help homeowners get the most out of their heating & cooling systems

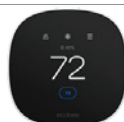
**Be There for Your Customers** — Stay connected to your customers and submit their smart thermostat warranty registration by scanning the contractor QR code on the thermostat touchscreen form the brand-specific Contractor App prompt for ecobee Thermostat Setup. If customers need to reach you, your contact information appears directly on the touchscreen



EB-STATE7RH-01



When the indoor unit is not powered by EcoNet equipment, but the outdoor unit is, the ecobee Smart Thermostat Lite | Works with EcoNet® Technology should be installed



When neither the indoor unit nor the outdoor unit are powered by EcoNet equipment, the ecobee Smart Thermostat Lite | Works with EcoNet® Technology should be installed



engineered for life™

**GENERAL TERMS OF LIMITED WARRANTY\***

Rheem® will furnish a replacement for any part of this product which fails in normal use and service within the applicable period stated, in accordance with the terms of the limited warranty.

**\*For complete details of the Limited and Conditional Warranties, including applicable terms and conditions, contact your local contractor or the Manufacturer for a copy of the product warranty certificate.**

Conditional Parts  
(Registration Required)..... Ten (10) Years

*Applies to a heat pump only or system installation. Does not require the heat pump to be part of a properly matched system as specified by the Manufacturer and the Air Conditioning Heating & Refrigeration Institute (AHR).*

**Before proceeding with installation, refer to installation instructions packaged with each model, as well as complying with all Federal, State, Provincial, and Local codes, regulations, and practices.**

© 2026 Rheem Manufacturing Company. Trademarks are property of their respective owners.

In keeping with its policy of continuous progress and product improvement, manufacturer reserves the right to make changes without notice.

5600 Old Greenwood Road  
Fort Smith, Arkansas 72908 • Rheem.com

125 Edgeware Road, Unit 1  
Brampton, Ontario • L6Y 0P5 • Rheem.ca