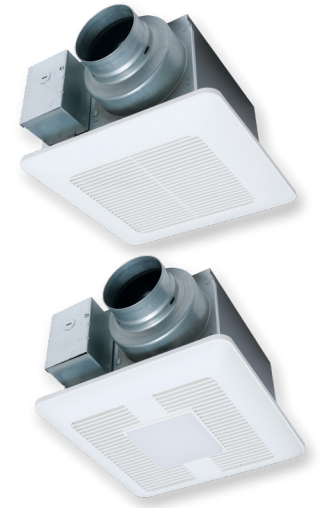


WhisperCeiling® DC Ventilation Fans and Fan/Lights

WhisperCeiling® DC VENTILATION FAN

Fan Only Models: FV-0511VQ1, FV-1115VQ1
Fan/Light Models: FV-0511VQL1, FV-1115VQL1



HEALTHY AIR, HEALTHY HOME

True Flow ratings at **0.375"** static pressure provide powerful airflow to assure code compliant, healthy homes.*

- Precision spot ventilation fans ideal for use in the bathroom, laundry room, sun room, basement or garage
- Revolutionary ECM motor with SmartFlow™ technology for optimum CFM output
- Pick-A-Flow® Airflow Selector (50-80-110 or 110-130-150 CFM models) combined with SmartFlow™ Technology simplifies the selection process and ensures optimum performance to meet code and reduce callbacks
- Single-hinged Flex-Z Fast® bracket provides flexible, fast and easy installation, even from below the ceiling
- Lighted models incorporate one 10W dimmable LED chip panel with <1W LED night-light for warm, long-life energy efficient illumination (night-light must be wired separately)
- Elegant grille design complements the aesthetics of any room
- Can be used to comply with ASHRAE 62.2, LEED, ENERGY STAR® IAP, EarthCraft, CA Title 24 and WA state code

ADDITIONAL BENEFITS

- Integrated 4" or 6" dual duct adapter enhances installation options
- UL listed for tub/shower enclosure when GFCI protected
- Built-in metal flange provides blocking for penetrations through drywall as an Air Barrier, and assists with the decrease in leakage in the Building Envelope during blower door testing
- Built-in damper reduces back drafting and helps with blower door testing
- UL listed for use with the Panasonic FlexDamper® - ceiling radiation damper [model # PC-RD06C6]
- Warranty: 6 years ECM Motor, 5 years LED, 3 years all other parts



Panasonic
IAQ Division
Two Riverfront Plaza
Newark, NJ 07102
iaq.na.panasonic.com

For Order Information
PHONE: 866-292-7299
FAX: 888-553-0723
ventfans@us.panasonic.com

* Industry research indicates static pressure in typical installations ranges from 0.20" to 0.375".

reinventingventing.com





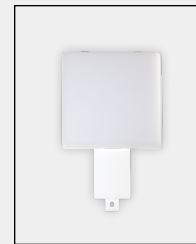
ECM Motor with SmartFlow™ Technology

WhisperCeiling® DC fan is designed to perform as rated. When the fan senses static pressure, its speed is automatically increased to ensure optimal CFM output. This feature provides peace of mind, as the installer doesn't have to worry about compromising the fan's performance, even with a complicated duct run.



Pick-A-Flow® Airflow Technology

Built-in Pick-A-Flow® Airflow selector provides the unique ability to select your required airflow (50-80-110 or 110-130-150 CFM models) with the simple flip of a switch.



LED Lighting

WhisperCeiling® DC fan/light models feature a contemporary flush mount grille that incorporates one long life 10W Dimmable LED chip panel with <1W LED night-light for warm, long-life energy efficient illumination. Panel specifications include: 3000 Kelvin Warm White/90CRI/700 lumens/70 LPW/ENERGY STAR 2.0 certified/JA8 compliant for CA Title 24/50,000 hours rated average.

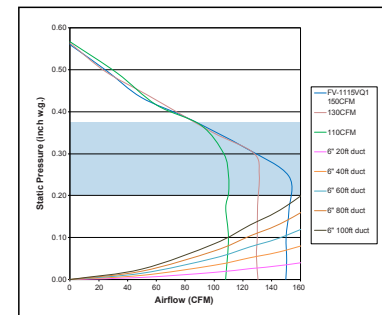
Specifications	WhisperCeiling® DC																																						
	FV-0511VQ1 (Fan Only)				FV-1115VQ1 (Fan Only)				FV-0511VQL1 (Fan/Light)				FV-1115VQL1 (Fan/Light)																										
Characteristics (HVI tested data for 0.1" S.P.)	Static Pressure in inches w.g.	0.1	0.25	0.375	0.1	0.25	0.375	0.1	0.25	0.375	0.1	0.25	0.375	0.1	0.25	0.375	0.1	0.25	0.375	0.1	0.25	0.375	0.1	0.25	0.375	0.1	0.25	0.375											
	Air Volume (CFM)	110	111	91	80	83	82	50	53	53	150	152	85	130	131	85	110	110	85	110	110	86	80	83	82	50	50	44	150	144	79	130	131	78	110	110	80		
	Noise (sones)	<0.3	0.9	-	<0.3	0.6	-	<0.3	0.4	-	<0.3	0.7	-	<0.3	0.5	-	<0.3	<0.3	-	0.4	0.9	-	<0.3	0.6	-	<0.3	0.4	-	0.5	0.8	-	<0.3	0.7	-	<0.3	0.5	-		
	Power Consumption (watts)	10.6	14.4	17.1	5.9	10.8	14.5	4.0	7.2	10.5	11.8	20.2	15.0	9.0	15.7	15.0	6.8	12.1	15.0	10.9	16.1	16.8	6.0	11.0	14.6	3.9	7.1	10.0	13.0	19.3	14.5	10.3	17.0	14.5	7.7	12.8	14.6		
	Energy Efficiency (CFM/watt)	10.6	6.9	5.3	13.6	7.7	5.7	12.5	7.4	5.1	12.9	7.6	5.7	14.7	8.5	5.7	16.4	9.2	5.7	10.3	7.0	5.1	13.7	7.7	5.6	14.1	7.8	4.4	11.7	7.5	5.5	12.8	7.8	5.4	14.5	8.7	5.3		
	Speed (RPM)	957	1239	1382	821	1172	1351	756	1093	1195	698	925	1110	671	918	1108	636	900	1112	1016	1268	1398	867	1185	1370	768	1097	1315	740	958	1124	722	949	1127	679	935	1126		
	Amps (Current)	0.18	0.26	0.27	0.11	0.18	0.24	0.07	0.13	0.18	0.19	0.31	0.25	0.16	0.25	0.25	0.12	0.20	0.25	0.18	0.26	0.26	0.11	0.19	0.24	0.07	0.12	0.17	0.21	0.30	0.24	0.17	0.27	0.23	0.13	0.22	0.23		
	MAX. Amps (Current)	0.27	0.27	0.27	0.27	0.31	0.31	0.31	0.30	0.30	0.30	0.30	0.30	0.30	0.30	0.30	0.30	0.30	0.30	0.30	0.30	0.30	0.30	0.30	0.30	0.30	0.30	0.30	0.30	0.30	0.30	0.30	0.30	0.30	0.30	0.30	0.30		
	Power Rating (V/Hz)	120/60	120/60	120/60	120/60	120/60	120/60	120/60	120/60	120/60	120/60	120/60	120/60	120/60	120/60	120/60	120/60	120/60	120/60	120/60	120/60	120/60	120/60	120/60	120/60	120/60	120/60	120/60	120/60	120/60	120/60	120/60	120/60	120/60	120/60	120/60	120/60		
	Specifications	Motor Type	ECM	ECM	ECM	ECM	ECM	ECM	ECM	ECM	ECM	ECM	ECM	ECM	ECM	ECM	ECM	ECM	ECM	ECM	ECM	ECM	ECM	ECM	ECM	ECM	ECM	ECM	ECM	ECM	ECM	ECM	ECM	ECM	ECM	ECM	ECM		
		Type of Motor Bearing	Ball	Ball	Ball	Ball	Ball	Ball	Ball	Ball	Ball	Ball	Ball	Ball	Ball	Ball	Ball	Ball	Ball	Ball	Ball	Ball	Ball	Ball	Ball	Ball	Ball	Ball	Ball	Ball	Ball	Ball	Ball	Ball	Ball	Ball	Ball	Ball	
Thermal Fuse Protection		Yes	Yes	Yes	Yes	Yes	Yes	Yes	Yes	Yes	Yes	Yes	Yes	Yes	Yes	Yes	Yes	Yes	Yes	Yes	Yes	Yes	Yes	Yes	Yes	Yes	Yes	Yes	Yes	Yes	Yes	Yes	Yes	Yes	Yes	Yes	Yes		
Blower Wheel Type		Sirocco	Sirocco	Sirocco	Sirocco	Sirocco	Sirocco	Sirocco	Sirocco	Sirocco	Sirocco	Sirocco	Sirocco	Sirocco	Sirocco	Sirocco	Sirocco	Sirocco	Sirocco	Sirocco	Sirocco	Sirocco	Sirocco	Sirocco	Sirocco	Sirocco	Sirocco	Sirocco	Sirocco	Sirocco	Sirocco	Sirocco	Sirocco	Sirocco	Sirocco	Sirocco	Sirocco		
Installation	ENERGY STAR Qualified	Yes	Yes	Yes	Yes	Yes	Yes	Yes	Yes	Yes	Yes	Yes	Yes	Yes	Yes	Yes	Yes	Yes	Yes	Yes	Yes	Yes	Yes	Yes	Yes	Yes	Yes	Yes	Yes	Yes	Yes	Yes	Yes	Yes	Yes	Yes	Yes		
	Duct Diameter (inches)	4" or 6"	4" or 6"	4" or 6"	6"	6"	6"	4" or 6"	4" or 6"	4" or 6"	6"	6"	6"	4" or 6"	4" or 6"	4" or 6"	6"	6"	6"	4" or 6"	4" or 6"	4" or 6"	6"	6"	6"	4" or 6"	4" or 6"	4" or 6"	6"	6"	6"	6"	6"	6"	6"	6"			
	Mounting Opening (inches sq.)	10-1/2	10-1/2	10-1/2	10-1/2	10-1/2	10-1/2	10-1/2	10-1/2	10-1/2	10-1/2	10-1/2	10-1/2	10-1/2	10-1/2	10-1/2	10-1/2	10-1/2	10-1/2	10-1/2	10-1/2	10-1/2	10-1/2	10-1/2	10-1/2	10-1/2	10-1/2	10-1/2	10-1/2	10-1/2	10-1/2	10-1/2	10-1/2	10-1/2	10-1/2	10-1/2			
Light Specifications	Grille Size (inches)	13	13	13	13	13	13	13	13	13	13	13	13	13	13	13	13	13	13	13	13	13	13	13	13	13	13	13	13	13	13	13	13	13	13	13	13		
	Lamp Watts	N/A	N/A	N/A	N/A	N/A	N/A	N/A	N/A	N/A	N/A	N/A	N/A	N/A	N/A	N/A	N/A	N/A	N/A	N/A	N/A	N/A	N/A	N/A	N/A	N/A	N/A	N/A	N/A	N/A	N/A	N/A	N/A	N/A	N/A	N/A	N/A	N/A	
	Lumens (lm)	N/A	N/A	N/A	N/A	N/A	N/A	N/A	N/A	N/A	N/A	N/A	N/A	N/A	N/A	N/A	N/A	N/A	N/A	N/A	N/A	N/A	N/A	N/A	N/A	N/A	N/A	N/A	N/A	N/A	N/A	N/A	N/A	N/A	N/A	N/A	N/A	N/A	N/A
	Lumens Per Watt (LPW)	N/A	N/A	N/A	N/A	N/A	N/A	N/A	N/A	N/A	N/A	N/A	N/A	N/A	N/A	N/A	N/A	N/A	N/A	N/A	N/A	N/A	N/A	N/A	N/A	N/A	N/A	N/A	N/A	N/A	N/A	N/A	N/A	N/A	N/A	N/A	N/A	N/A	
	Color Rendering Index	N/A	N/A	N/A	N/A	N/A	N/A	N/A	N/A	N/A	N/A	N/A	N/A	N/A	N/A	N/A	N/A	N/A	N/A	N/A	N/A	N/A	N/A	N/A	N/A	N/A	N/A	N/A	N/A	N/A	N/A	N/A	N/A	N/A	N/A	N/A	N/A	N/A	
	Color Temperature (Kelvin)	N/A	N/A	N/A	N/A	N/A	N/A	N/A	N/A	N/A	N/A	N/A	N/A	N/A	N/A	N/A	N/A	N/A	N/A	N/A	N/A	N/A	N/A	N/A	N/A	N/A	N/A	N/A	N/A	N/A	N/A	N/A	N/A	N/A	N/A	N/A	N/A	N/A	
	Rated Life (hours)	N/A	N/A	N/A	N/A	N/A	N/A	N/A	N/A	N/A	N/A	N/A	N/A	N/A	N/A	N/A	N/A	N/A	N/A	N/A	N/A	N/A	N/A	N/A	N/A	N/A	N/A	N/A	N/A	N/A	N/A	N/A	N/A	N/A	N/A	N/A	N/A	N/A	N/A
	Lamp Model #	N/A	N/A	N/A	N/A	N/A	N/A	N/A	N/A	N/A	N/A	N/A	N/A	N/A	N/A	N/A	N/A	N/A	N/A	N/A	N/A	N/A	N/A	N/A	N/A	N/A	N/A	N/A	N/A	N/A	N/A	N/A	N/A	N/A	N/A	N/A	N/A	N/A	N/A
Night-Light Specs	Type of Lamp Socket	N/A	N/A	N/A	N/A	N/A	N/A	N/A	N/A	N/A	N/A	N/A	N/A	N/A	N/A	N/A	N/A	N/A	N/A	N/A	N/A	N/A	N/A	N/A	N/A	N/A	N/A	N/A	N/A	N/A	N/A	N/A	N/A	N/A	N/A	N/A	N/A	N/A	
	Night-Light Watts	N/A	N/A	N/A	N/A	N/A	N/A	N/A	N/A	N/A	N/A	N/A	N/A	N/A	N/A	N/A	N/A	N/A	N/A	N/A	N/A	N/A	N/A	N/A	N/A	N/A	N/A	N/A	N/A	N/A	N/A	N/A	N/A	N/A	N/A	N/A	N/A	N/A	
	Gross Weight (lbs)	11.0	11.0	11.0	11.0	11.2	11.2	11.2	11.2	11.2	11.2	11.2	11.2	11.2	11.2	11.2	11.2	11.2	11.2	11.2	11.2	11.2	11.2	11.2	11.2	11.2	11.2	11.2	11.2	11.2	11.2	11.2	11.2	11.2	11.2	11.2	11.2		
Approved Code/Standard/Regulation	UL tub/Shower Enclosure	Yes	Yes	Yes	Yes	Yes	Yes	Yes	Yes	Yes	Yes	Yes	Yes	Yes	Yes	Yes	Yes	Yes	Yes	Yes	Yes	Yes	Yes	Yes	Yes	Yes	Yes	Yes	Yes	Yes	Yes	Yes	Yes	Yes	Yes	Yes	Yes		
	Washington VIAQ Code	Yes	Yes	Yes	Yes	Yes	Yes	Yes	Yes	Yes	Yes	Yes	Yes	Yes	Yes	Yes	Yes	Yes	Yes	Yes	Yes	Yes	Yes	Yes	Yes	Yes	Yes	Yes	Yes	Yes	Yes	Yes	Yes	Yes	Yes	Yes	Yes		
	Wall installation	No	No	No	No	No	No	No	No	No	No	No	No	No	No	No	No	No	No	No	No	No	No	No	No	No	No	No	No	No	No	No	No	No	No	No	No		
	California Title 24 Compliant	Yes	Yes	Yes	Yes	Yes	Yes	Yes	Yes	Yes	Yes	Yes	Yes	Yes	Yes	Yes	Yes	Yes	Yes	Yes	Yes	Yes	Yes	Yes	Yes	Yes	Yes	Yes	Yes	Yes	Yes	Yes	Yes	Yes	Yes	Yes	Yes		
	Mfg in ISO 9001 Certified Facility	Yes	Yes	Yes	Yes	Yes	Yes	Yes	Yes	Yes	Yes	Yes	Yes	Yes	Yes	Yes	Yes	Yes	Yes	Yes	Yes	Yes	Yes	Yes	Yes	Yes	Yes	Yes	Yes	Yes	Yes	Yes	Yes	Yes	Yes	Yes	Yes		

Industry research indicates static pressure in typical installations ranges from 0.20" to 0.375".



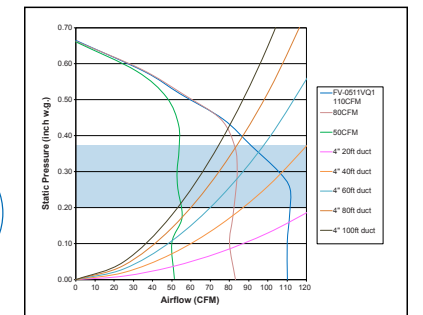
FV-1115VQ1

FV-1115VQ1



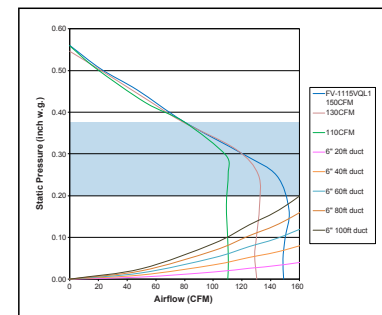
FV-0511VQ1

FV-0511VQ1



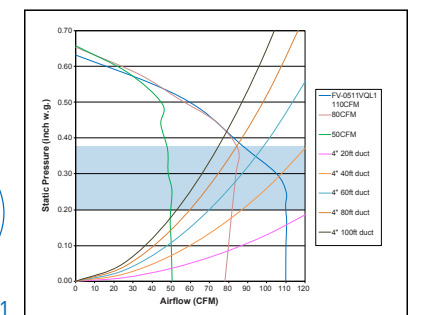
FV-1115VQL1

FV-1115VQL1

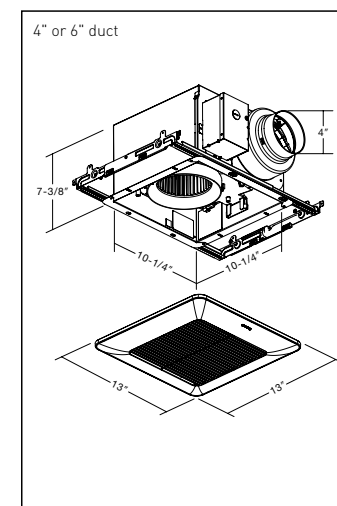


FV-0511VQL1

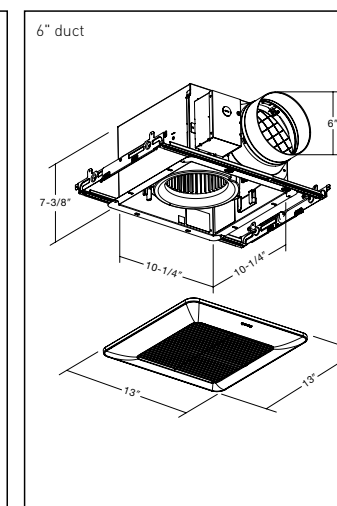
FV-0511VQL1



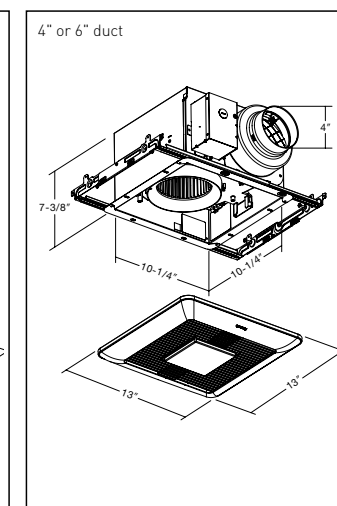
FV-0511VQ1



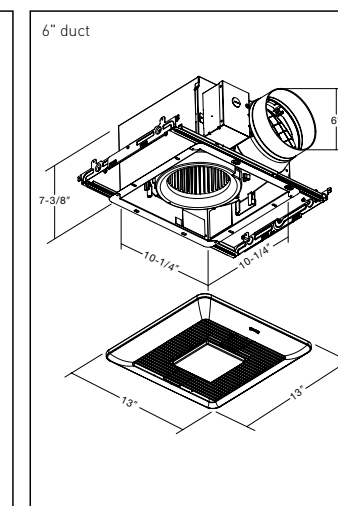
FV-1115VQ1



FV-0511VQL1



FV-1115VQL1



*Industry research indicates static pressure in typical installations ranges from 0.20" to 0.375".

As tested by an EPA recognized lab